

AVT-□-□

[AVT-12-1](#)

[AVT-17-2](#)
[AVT-17-3](#)

[AVT-24-4](#)
[AVT-24-6](#)

[AVT-24-8](#)
[AVT-24-10](#)

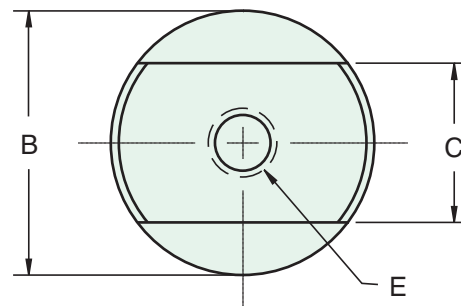
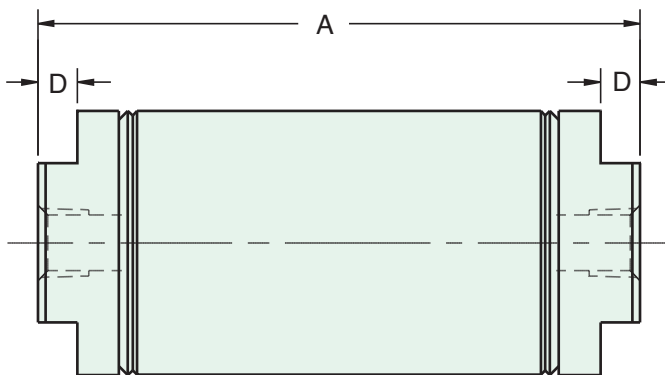
[AVT-32-12](#)
[AVT-32-14](#)

[AVT-32-16](#)

Additional models are available upon request

Clippard offers a line of air volume tanks suitable for use with Clippard air components. Using the same quality rolled construction as Clippard stainless steel cylinders, tanks are manufactured to exacting standards. Each is provided with a threaded port at both ends. See chart for volume capacity, dimensions, and port information.

For additional corrosion resistance Clippard can offer air volume tanks with Delrin® heads. Call for more information.



- FEATURES**
- Volumes from 1 to 16 cu. in.
 - Ten models
 - 304 stainless steel tubes
 - Precision rolled construction
 - Easy to connect, mount and use in your circuits
 - Anodized aluminum heads
 - Maximum pressure 250 psig

| Part Number | Volume Cubic In. | A | B | C | D | E |
|-------------|------------------|-------|-------|-------|-------|--------|
| AVT-12-1 | 1.0 | 3.281 | 0.812 | 0.625 | 0.156 | 1/8 27 |
| AVT-17-2 | 2.0 | 3.593 | 1.125 | 0.875 | 0.187 | 1/8 27 |
| AVT-17-3 | 3.0 | 4.718 | 1.125 | 0.875 | 0.187 | 1/8 27 |
| AVT-24-4 | 4.0 | 3.687 | 1.562 | 0.875 | 0.250 | 1/8 27 |
| AVT-24-6 | 6.0 | 4.843 | 1.562 | 0.875 | 0.250 | 1/8 27 |
| AVT-24-8 | 8.0 | 5.968 | 1.562 | 0.875 | 0.250 | 1/8 27 |
| AVT-24-10 | 10.0 | 7.093 | 1.562 | 0.875 | 0.250 | 1/8 27 |
| AVT-32-12 | 12.0 | 5.718 | 2.062 | 1.250 | 0.312 | 1/4 18 |
| AVT-32-14 | 14.0 | 6.343 | 2.062 | 1.250 | 0.312 | 1/4 18 |
| AVT-32-16 | 16.0 | 6.968 | 2.062 | 1.250 | 0.312 | 1/4 18 |